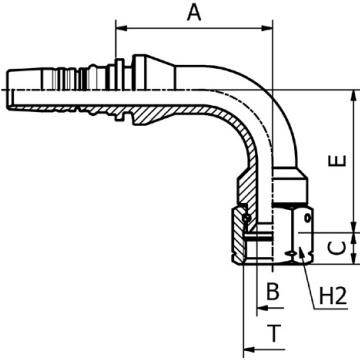


SAE STANDARD CONNECTIONS



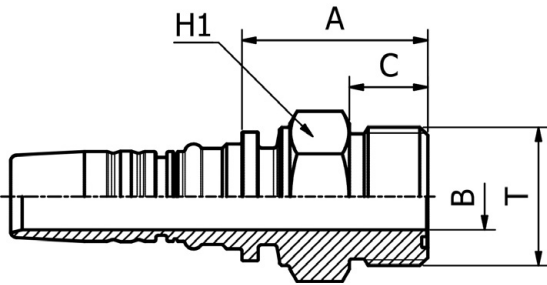
# M42592

90° JIC  
FEMALE SWEPT ELBOW 37° CONE SEAT  
SAE J516 / ISO 12151-5  
(THRUST-WIRE NUT)

PART. REF.	HOSE BORE			Thread	DIMENSIONS mm						
	DN	Dash	inch	T	B	A	C	E	H2		
M42592-12-12	19	- 12	3/4"	1.1/16" - 12	15.0	72.5	14.2	66.0	32.0		
M42592-12-16	19	- 12	3/4"	1.5/16" - 12	21.7	72.5	15.2	71.5	41.0		
M42592-16-16	25	- 16	1"	1.5/16" - 12	21.7	82.5	15.2	77.5	41.0		
M42592-16-20	25	- 16	1"	1.5/8" - 12	26.1	90.5	16.2	76.5	50.0		
M42592-20-20	31	- 20	1.1/4"	1.5/8" - 12	26.1	98.5	16.2	92.0	50.0		
M42592-20-24	31	- 20	1.1/4"	1.7/8" - 12	32.1	101.5	18.8	108.0	60.0		
M42592-24-24	38	- 24	1.1/2"	1.7/8" - 12	32.1	111.5	18.8	106.0	60.0		
M42592-32-32	51	- 32	2"	2.1/2" - 12	42.0	144.5	24.0	137.0	75.0		

FITTINGS 182

SAE STANDARD CONNECTIONS



# M32410

ORFS  
MALE  
SAE J516 / ISO 12151-1

PART. REF.	HOSE BORE			Thread	DIMENSIONS mm						
	DN	Dash	inch	T	B	A	C	H1			
M32410-10-08	16	- 10	5/8"	13/16" - 16	9.3	33.0	12.8	27.0			
M32410-10-10	16	- 10	5/8"	1" - 14	12.0	36.0	15.5	27.0			
M32410-10-12	16	- 10	5/8"	1.3/16" - 12	15.0	39.0	17.0	32.0			
M32410-12-12	19	- 12	3/4"	1.3/16" - 12	14.5	40.5	17.0	32.0			
M32410-12-16	19	- 12	3/4"	1.7/16" - 12	19.8	42.5	17.5	38.0			
M32410-16-16	25	- 16	1"	1.7/16" - 12	19.5	45.0	17.5	41.0			
M32410-16-20	25	- 16	1"	1.11/16" - 12	25.0	48.0	17.5	46.0			
M32410-20-16	31	- 20	1.1/4"	1.7/16" - 12	19.5	47.0	17.5	50.0			
M32410-20-20	31	- 20	1.1/4"	1.11/16" - 12	25.0	50.5	17.5	46.0			
M32410-24-24	38	- 24	1.1/2"	2" - 12	31.0	53.0	17.5	55.0			
M32410-32-24	51	- 32	2"	2" - 12	31.0	53.0	17.5	70.0			